

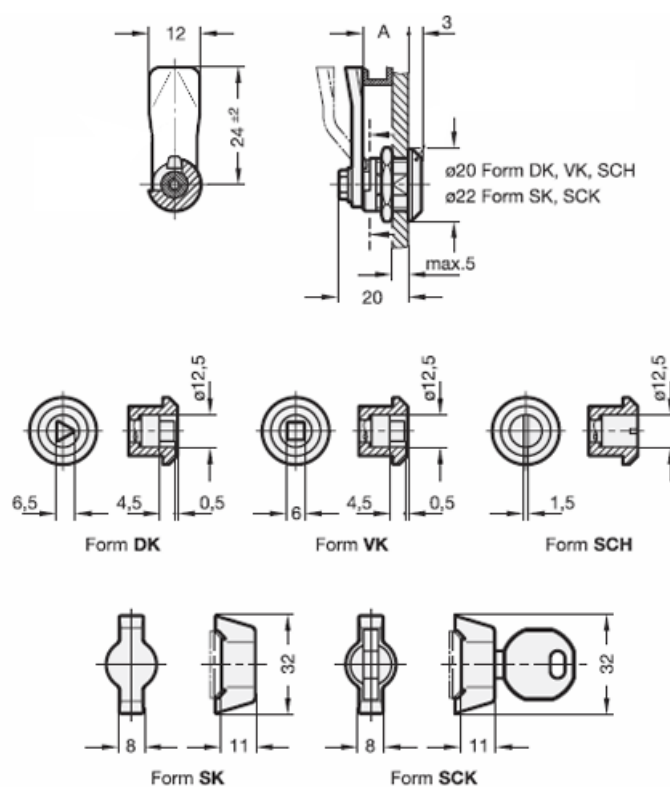
Data Sheet



Article number: 20726019

Description: E+G Mini latch
GN 115.1-DK-19,5

Measures



A = 19.5